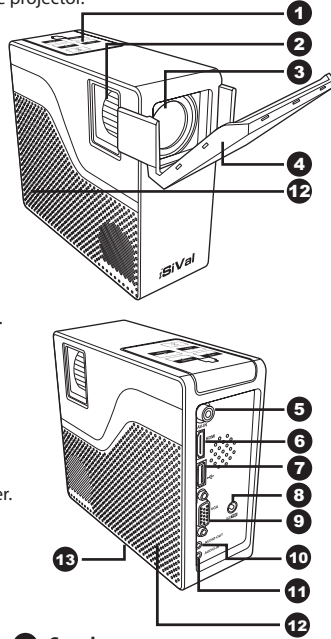


## Exterior view

EN

- 1 Control Panel**  
Tap the keys to operate the projector.
- 2 Focus Ring**  
Rotate to sharpen the image.
- 3 Projection Lens**
- 4 Baffle Plate**  
Attach to change the projection angle.
- 5 AV-IN**  
Connects to AV devices.
- 6 HDMI**  
Connects to HDMI devices.
- 7 USB \***  
Connects to USB drives.  
\* Only supports viewing of JPEG images.
- 8 DC-IN**  
Connects to the AC adapter.
- 9 VGA**  
Connects to VGA input sources.
- 10 AUDIO-OUT**  
Connects to speakers.
- 11 AUDIO-IN**  
Connects to audio
- 12 Speaker**
- 13 Ceiling Mounting Hole**



## Positioning your Projector

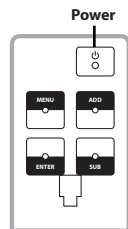
- **Front table** - Place the projector on the table in front of the screen.
- **Front ceiling** - Mount the projector on the ceiling in front of the screen.
- **Rear table** - Place the projector on the table behind the screen. \*
- **Rear ceiling** - Mount the projector on the ceiling behind the screen. \*

\* A special rear projection screen is required.

**NOTE:** To get more projection possibilities, attach the baffle plate to suit your needs.

## Turning the Power On

1. Ensure that the AC adapter is connected to the power outlet and the mini projector.
2. Tap **Power** on the control panel to turn on the projector.

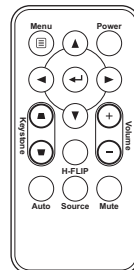


## Turning the Power Off

1. Tap **Power** on the control panel.
2. A confirmation message appears.
3. Tap **Power** again to confirm.

## Switching the Input Source

1. Ensure that the appropriate cable is connected to your input source and the mini projector.
2. Press **Source** on the remote control.
3. The Source Selection menu appears on the screen.
4. Press **▲▼** to select the desired input source.
5. Press **↵** to confirm.



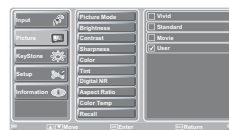
## Selecting the OSD Language

1. Press **Menu** on the remote control.
2. Press **▲▼** to select **Setup**, then press **▶**.
3. Press **▲▼** to select **OSD Language**, then press **▶**.
4. Press **▲▼** to select the desired language.
5. Press **↵** to confirm.

## Adjusting the OSD Settings

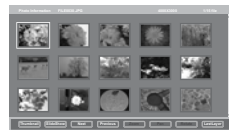
1. Press **Menu** to open the OSD menu.
2. Press **▲▼◀▶** on the remote control to select a submenu and adjust the settings.
3. Press **↵** to confirm.

**NOTE:** Available menu options vary depending on the current input source.



## Viewing Pictures in USB Mode

1. Press **▲▼◀▶** on the remote control to scroll through the pictures and options.
2. Press **↵** to confirm.



EN

EN

EN

EN